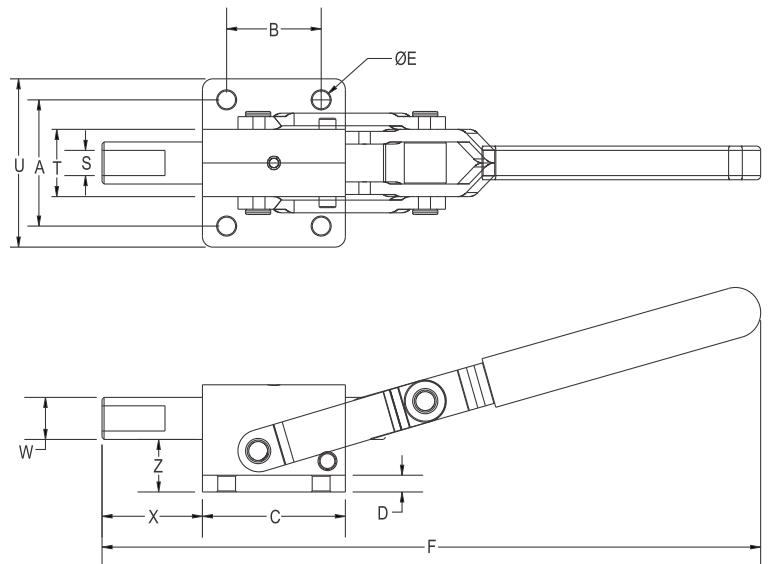
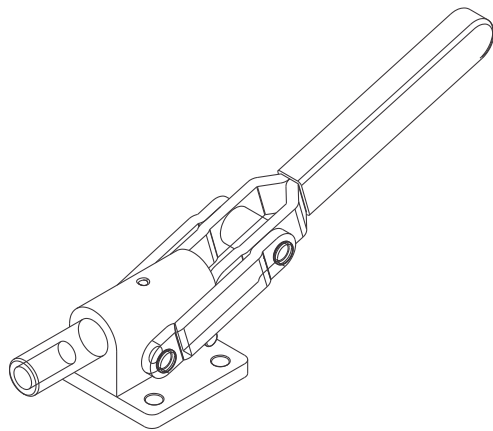
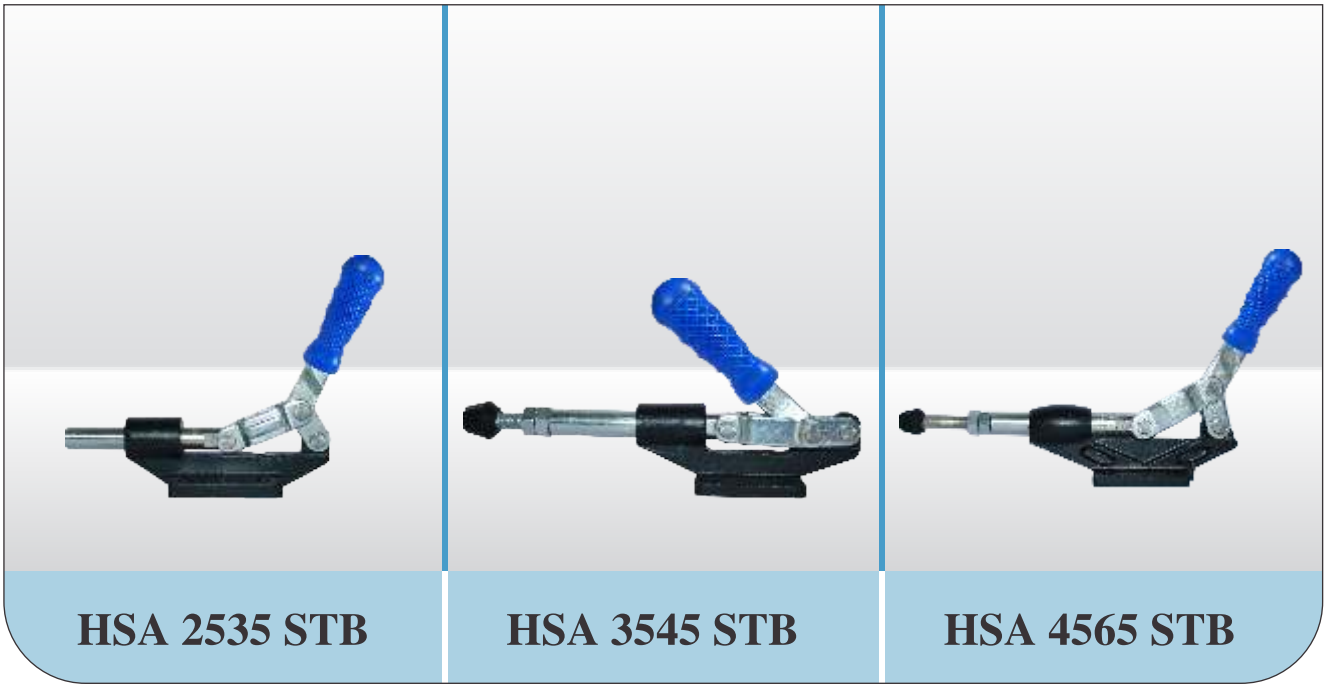



HSA 2525
HSA 3525
HSA 3545
HSA 5565


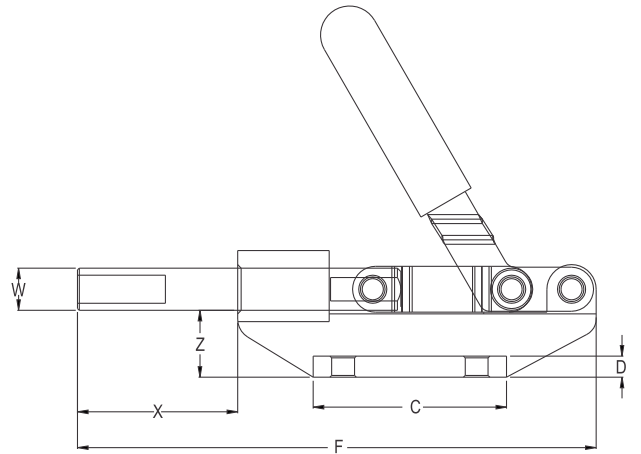
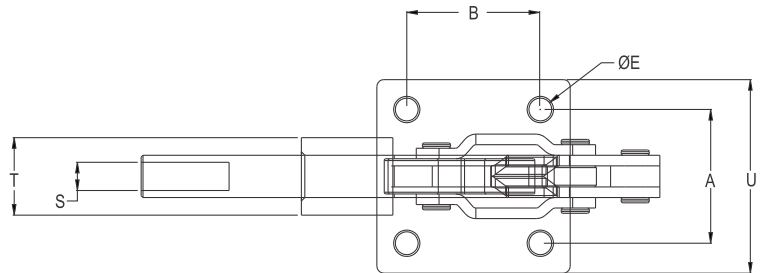
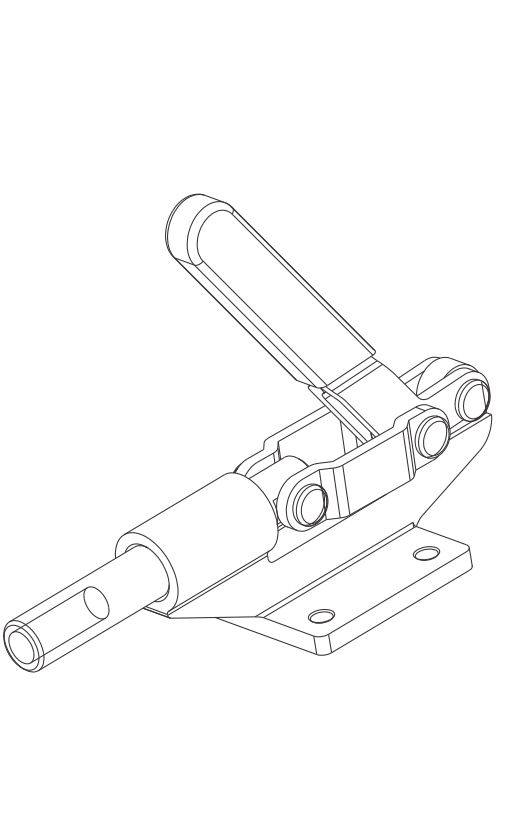
Model No.	Z	X	W	U	T	S	Mounting Base Dimensions					F	Holding Capacity
							A	B	C	D	ØE		
HSA 2525	18	23	9.5	54	20	5	42	16	28	6	5.3	162	300 Kg
HSA 3525	24	25	12	75	26	8	55	30	50	6	6.5	235	1100 Kg
HSA 3545	25	48	20	80	32	12	60	45	68	8	8.5	300	2600 Kg
HSA 5565	38	84	25	100	38.5	14	75	50	75	10	10.5	370	4500 Kg



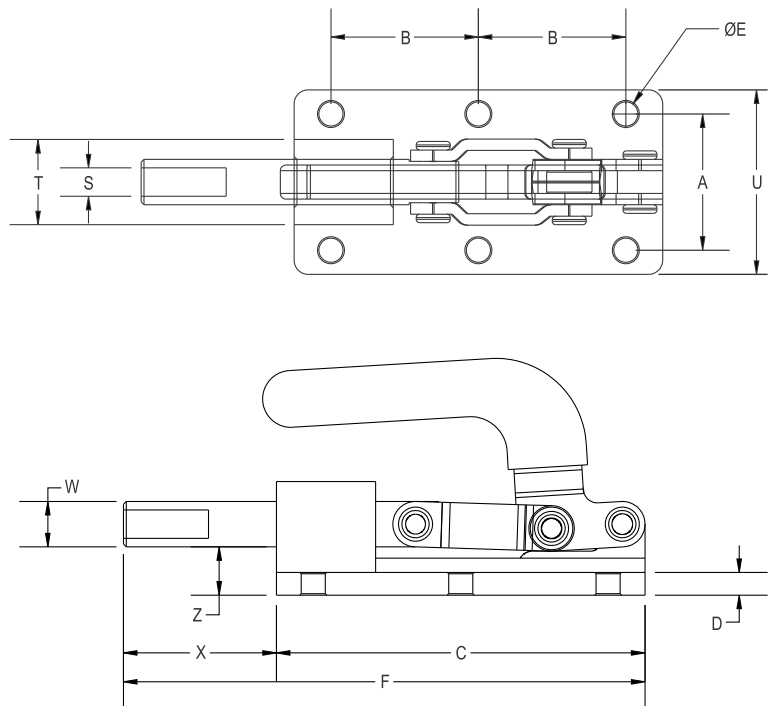
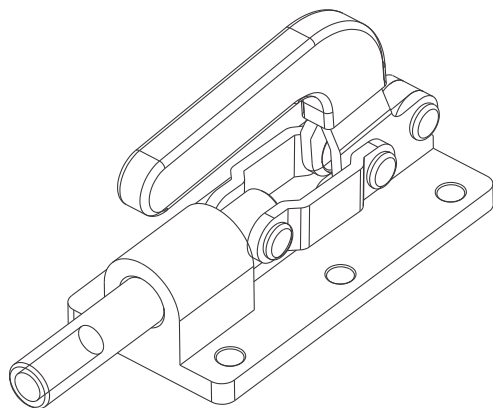
HSA 2535 STB

HSA 3545 STB

HSA 4565 STB



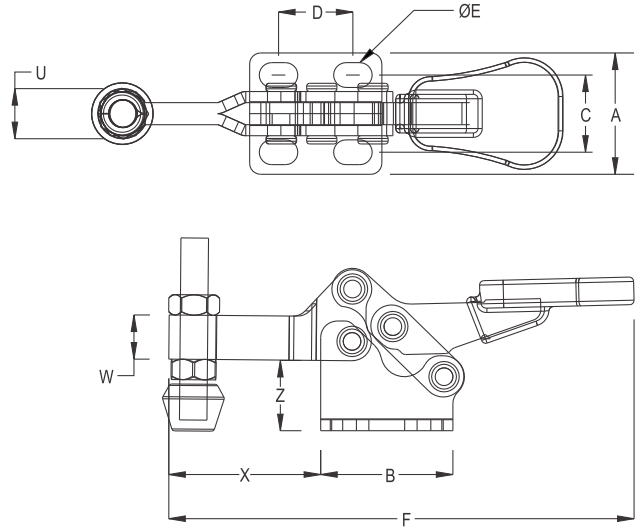
Model No.	Z	X	W	U	T	S	Mounting Base Dimensions					F	Holding Capacity
							A	B	C	D	ØE		
HSA 2535 STB	19	45	12	55	22	8	38	38	31.5	6	6.5	147	300 Kg
HSA 3545 STB	27	50	16	65	25	10	42	42	61	8	6.5	180	400 Kg
HSA 4565 STB	35	64	20	75	38	12	50	50	75	9	10.5	235	700 Kg



Model No.	Z	X	W	U	T	S	Mounting Base Dimensions					F	Holding Capacity
							A	B	C	D	ØE		
HSA 1530 LB	10.5	32	9	55	20	5	36	66	81	5	5.2	115	200 Kg
HSA 2040 LB	17	53	12	60	25	8	45	47	110	6	6.5	160	600 Kg
HSA 2550 LB	17	54	16	65	30	10	48	52	130	8	8.5	184	800 Kg
HSA 35100 LB	22	112	25	90	41	16	66	95	215	12.5	10.5	327	2000 Kg



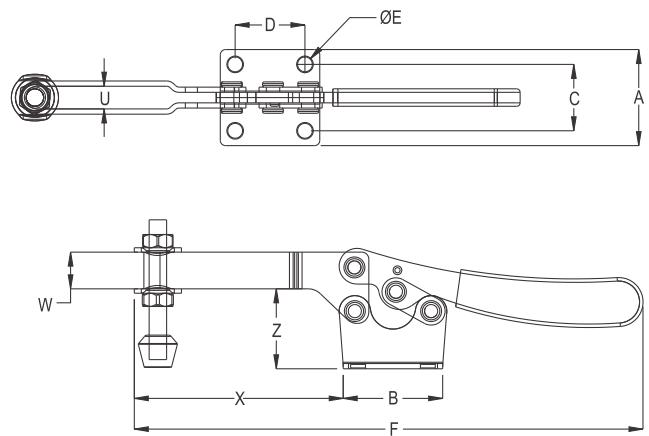
HZX 1323



Model No.	Z	X	W	U	T	S	Mounting Base Dimensions					F	Holding Capacity
							A	B	C	D	ØE		
HZX 1323	12.75	27.5	8	9	--	8	22	24	14	13.5	4.5x7	84	50 Kg



HZX 45105



Model No.	Z	X	W	U	T	S	Mounting Base Dimensions					F	Holding Capacity
							A	B	C	D	ØE		
HZX 45105	45.75	120	21	13	--	12	55	57	38	40	8.5	290	350 Kg